
Comfort-Aire®

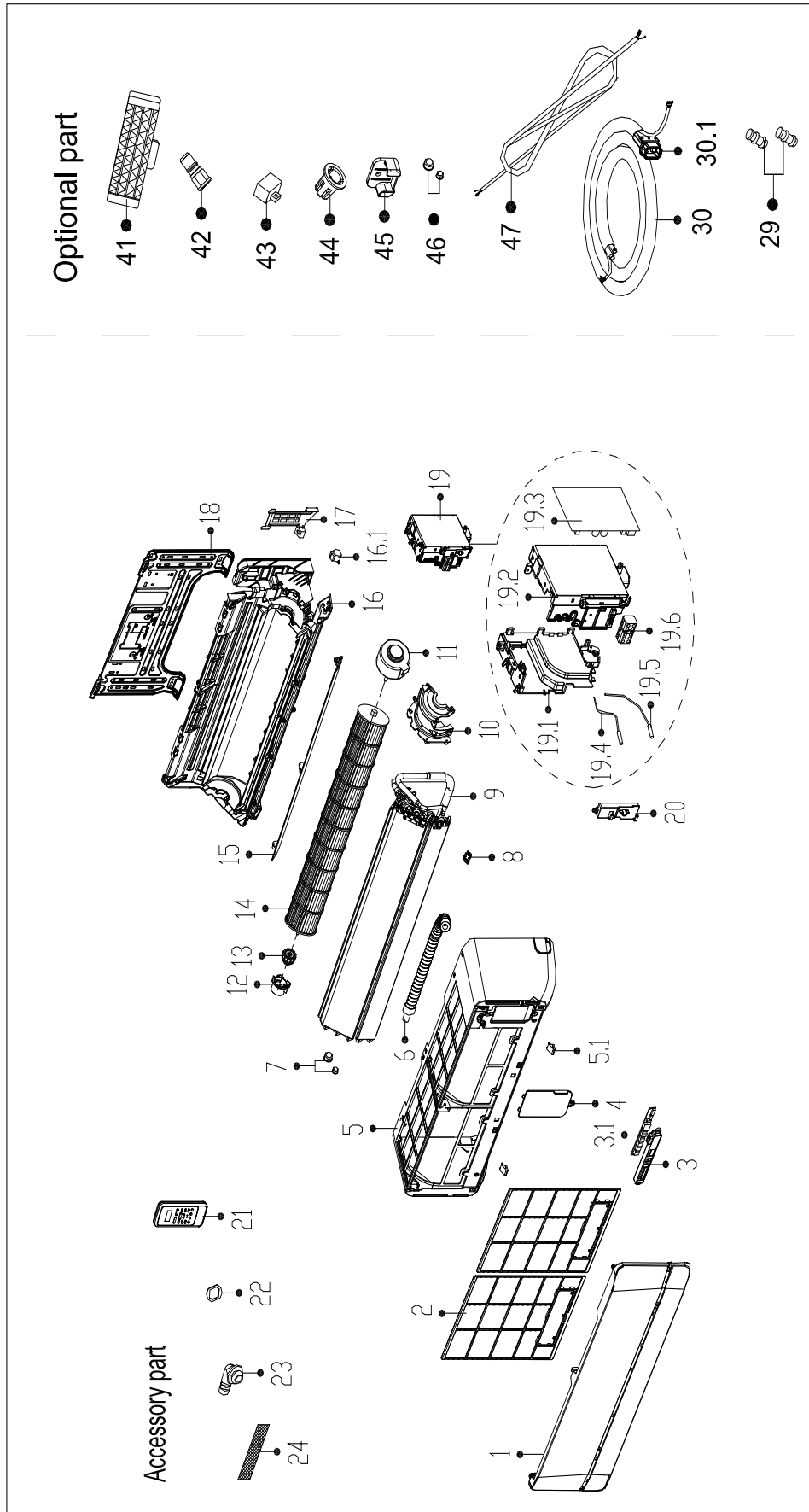
Century®

PARTS LIST

**Inverter Single Zone
Indoor Ductless Mini-Split**

B-VMH09SU-1C

EXPLODED VIEW



REPLACEMENT PARTS

Location	Part Name	Quantity	Part No.
1	Panel assembly	1	12122000A04735
2	Air filter	2	12100204000466
4	Cover of electrical equipment	1	12122000006694
5	Panel frame assembly	1	12122000A50699
5.1	Screw Cap	2	12122000006272
6	Drain hose	1	12100501000032
7	Copper nut	1	15500406000010
7	Copper nut	1	15500406000016
8	Fixed clamp of temperature sensor	1	12122000024323
9	Evaporator assembly	1	15822000008163
10	Fan motor cover	1	12122000019981
11	Brushless DC Motor	1	11002015000051
12	Bearing holder	1	12122000000350
13	Bearing base	1	12622000000006
14	Cross flow fan	1	12100102000074
15	Horizontal louver assembly	1	12122000A54652
16	Chassis assembly	1	12122000A61795
16.1	Stepper motor	1	11002010000143
17	pipe clamp board	1	12122000000455
18	Installation plate	1	12222000000031
19	Electronic control box subassembly (Mid-and low-end)	1	17222000033798
19.1	Left cover of electronic control box	1	12122000004639
19.2	Right cover of electronic control box	1	12122000004632
19.3	Main control board subassembly	1	17122000044836
19.4	Room temperature sensor	1	11201007003424
19.5	Pipe Temperature Sensor	1	11201007003447
19.6	Wire joint	1	17400401A00046
20	Cover of electronic control box	1	12122000005020
21	Remote controller	1	17317000A51872
22	seal ring	1	12600701000039
23	Drain hose	1	12100509000061
24	Air freshening filter	2	12100206000056
25	Display box subassembly	1	17222000A54734
25.1	Display board subassembly	1	17122000A34876
42	Check valve	1	15500209000001
45	Bracket of remote Controller	1	12122000027147

Due to ongoing product improvements, specifications and dimensions are subject to change and correction without notice or incurring obligations. Determining the application and suitability for use of any product is the responsibility of the installer. Additionally, the installer is responsible for verifying dimensional data on the actual product prior to beginning any installation preparations.

Incentive and rebate programs have precise requirements as to product performance and certification. All products meet applicable regulations in effect on date of manufacture; however, certifications are not necessarily granted for the life of a product. Therefore, it is the responsibility of the applicant to determine whether a specific model qualifies for these incentive/rebate programs.

Comfort-Cire®  **Century**®

1900 Wellworth Ave., Jackson, MI 49203 • Ph. 517-787-2100 • www.marsdelivers.com

